



juniper

JN0-647 Exam

juniper Networks Certified Professional Enterprise Routing and Switching Exam

Thank you for Downloading JN0-647 exam PDF Demo

You can Buy Latest JN0-647 Full Version Download

<https://www.certkillers.net/Exam/JN0-647>

<https://www.certkillers.net>

Version: 9.0

Question: 1

Your network provider supports multicast traffic but your provider network does not. You want to allow multicast hosts outside of your network to receive multicast traffic sourced within your network.

How would you satisfy this requirement?

- A. Use MSDP peering with your provider.
- B. Use AutoVPN to connect to the remote hosts.
- C. Use an MP-BGP session to your provider to pass multicast traffic.
- D. Use an automatic multicast tunnel gateway at the edge of your network.

Answer: D

Question: 2

Click the exhibit.

```
[edit class-of-service schedulers]
user@router# show
s-1 {
    transmit-rate percent 30;
    priority high;
}
s-2 {
    transmit -rate percent 5;
    priority medium-high;
}
s-3 {
    transmit-rate percent 30;
    priority medium-low;
}
s-4 {
    transmit-rate percent 35;
    priority low;
}
```

Referring to the exhibit, traffic handled by the s-1 scheduler is out of profile. Assuming bandwidth is available in this scenario, which statement is correct?

- A. Traffic handled by the s-1 scheduler is serviced immediately after traffic being serviced by the s-4 scheduler.
- B. Traffic handled by the s-1 scheduler is serviced immediately before traffic being serviced by the s-4 scheduler.
- C. Traffic handled by the s-1 scheduler is serviced immediately before traffic being serviced by the s-2 scheduler.
- D. Traffic handled by the s-1 scheduler is serviced immediately after traffic being serviced by the s-2 scheduler.

Answer: D

Question: 3

Click the Exhibit.

```
user@switch> show configuration protocols mvrp
interface all;
```

```
user@switch> show configuration interfaces
```

```
ge-0/0/1 {
  unit 0 {
    family ethernet-switching {
      port-mode trunk;
      vlan {
        members [vlan-308 vlan-312];
      }
    }
  }
}
ge-0/0/2 {
  unit 0 {
    family ethernet-switching {
      port-mode trunk;
    }
  }
}
ge-0/1/0 {
  unit 0 {
    family ethernet-switching {
      port-mode access;
      vlan {
        members vlan-300;
      }
    }
  }
}
ge-0/1/1 {
  unit 0 {
    family Ethernet-switching {
      vlan {
        members vlan -300;
      }
    }
  }
}
ae0 {
```

```
unit 0 {
  family Ethernet-switching {
    port-mode trunk;
    vlan {
      members [vlan-300 vlan 308];
    }
  }
}
ae1 {
  unit 0 {
    family ethernet-switching {
      port-mode trunk;
    }
  }
}
```

Referring to the exhibit, which set of interfaces will be registered by MVRP?

- A. ge-0/1/0, ge-0/1/1, ae0, ae1
- B. ge-0/1/0, ge-0/0/2, ae0, ae1
- C. ge-0/0/1, ge-0/1/1, ae0, ae1
- D. ge-0/0/1, ge-0/0/2, ae0, ae1

Answer: D

Question: 4

Click the Exhibit.

```
[edit]
user@router1# show protocols bgp
group to-router2 {
    type internal;
    local-as 65512;
    neighbor 192.168.1.2 {
        peer-as 65512;
    }
}
```

```
[edit]
user@router1# show routing -options
```

```
[edit]
user@router1# run show bgp summary
Groups: 1 Peers: 1 Down peers: 1
Table      Tot Paths  Act Paths  Suppressed  History  Damp State
      Pending
inet. 0          0          0          0          0          0
Peer      AS          inPkt      OutPkt      OutQ      Flaps Last
Up/Dwn State | #Active/ Received/ Accepted/ Damped...
192.168.1.2          65512          0          6          0          0
      7: 58 Active
```

[edit]

user@router1# run show log messages

Jun 13 16:29:42 router1 flowd_octeon_hm: pconn_client_connect: Failed to connect to the server after 0 retries

Jun 13 16:29:44 router1 rpd [3348]: bgp_recv: peer 192.168.1.2 (Internal AS 65512) : received unexpected EOF

Jun 13 16:29:47 router1 flowd_octeon_hm: pconn_client_connect: Failed to connect to the server after 0 retries

Jun 13 16:29:57 router1 las time message repeated 2 times

Jun 13 16:30:00 router1 cron [3383] : (root) CMD (newsyslog)

Jun 13 16:30:00 router1 cron [3384] : (root) CMD (/user/libexec/atrun)

Jun 13 16:30:02 router1 flowd_octeon_hm: pconn_client_connect: Failed to connect to the server after 0 retries

Jun 13 16:30:07 router1 flowd_octeon_hm: pconn_client_connect: Failed to connect to the server after 0 retries

Jun 13 16:30:12 router1 flowd_octeon_hm: pconn_client_connect: Failed to connect to the server after 0 retries

Jun 13 16:30:16 router1 rpd [3348]: bgp_recv: peer 192.168.1.2 (Internal AS 65512) : received unexpected EOF

Jun 13 16:30:17 router1 flowd_octeon_hm: pconn_client_connect: Failed to connect to the server after 0 retries

Jun 13 16:30: 32 router1 last message repeated 3 times

Jun 13 16:30:37 router1 flowd_octeon_hm: pconn_client_connect: Failed to connect to the server after 0 retries

Jun 13 16:30:40 router1 rpd [3348]: bgp_listen_accept: Connection attempt from unconfigured neighbor: 172.17.20.2+62931

Jun 13 16:30:42 router1 flowd_octeon_hm: pconn_client_connect: Failed to connect to connect to the server after 0 retries

Jun 13 16:30:52 router1 last message repeated 2 times

Jun 13 16:30:57 router1 flowd_octeon_hm: pconn_client_connect: Failed to connect to connect to the server after 0 retries

Jun 13 16:31:02 router1 flowd_octeon_hm: pconn_client_connect: Failed to connect to connect to the server after 0 retries

Jun 13 16:31:12 router1 last message repeated 2 times

```
[edit]
user@router2# show protocols bgp
group to-router1 {
  type internal;
  family inet {
    unicast;
  }
  neighbor 192.168.1.1;
}
```

```
[edit]
user@router2# show routing -options
autonomous-system 65512;
```

```
[edit]
user@router2# run show bgp summary
Groups: 1 Peers: 1 Down peers: 1
Table      Tot Paths   Act Paths   Suppressed   History     Damp State
  Pending
inet. 0          0           0             0           0           0

Peer
Up/Dwn State | #Active/ Received/ Accepted/ Damped...
192.168.1.1   | 65512/ 0/ 12
                20: 11 Active
```

You are configuring a new BGP session between router1 and router2. The session does not establish. Referring to the exhibit, what must be done to establish this session?

- A. You must define the peer-as number on router2.
- B. You must define the autonomous- system number under the [edit routing-options] hierarchy on router1.
- C. You must specify type as external on both devices.
- D. You must specify the local-address on both devices.

Answer: D

Question: 5

Which router ID is correct for OSPFv3?

- A. 0.0.0.0
- B. 2001:123:6::1
- C. ::172.16.1.1
- D. 172.16.1.1

Answer: D

Question: 6

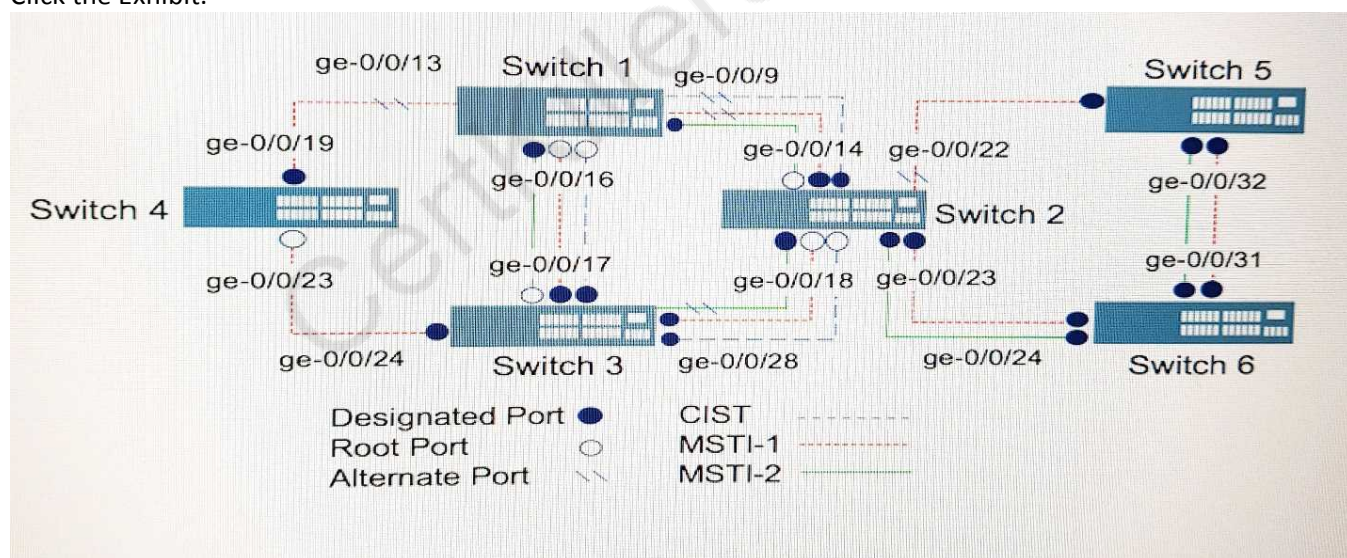
Which type of BGP is used to peer with a different autonomous system?

- A. external
- B. classless
- C. dynamic
- D. static

Answer: A

Question: 7

Click the Exhibit.



Referring to the exhibit, what is the minimum number of MSTP regions where the topology would be implemented?

- A. 3
- B. 1
- C. 2
- D. 0

Answer: B

Question: 8

Click the Exhibit.

CertKillers.net

```
user@router> show route advertising-protocol bgp 10.254.32.2

inet.0: 1400327 destinations, 14000327 routes (1323967 active,
0 holddown, 1 hidden)
Prefix          Nexthop          MED    Lclpref          AS path
*1.5.5.5/32     Self             0
[edit]
user@router# show policy-options policy-statement export-to-as81
term 1 {
    from {
        route-filer 1.0.0.0/8 longer;
    }
    then accept;
}
term 2 {
    then reject;
}

[edit]
user@router# show policy-options policy-statement reject-routes
term 1 {
    from {
        route-filter 1.0.0.0/8 exact;
    }
    then reject;
}

[edit]
user@router# show protocol bgp
export reject-routes;
group ebgp {
    export export-to-as81;
    peer-as 81;
    neighbor 10.254.32.2 {
        family inet {
            unicast;
        }
    }
}
```

You are asked to advertise the 1.0.0.0/8 and 1.5.5.5/32 routes to your 10.254.32.2 BGP peer. Referring to the exhibit, which configuration change would satisfy this requirement?

- A. Remove the export-to- as81 policy.
- B. Remove the export-to- as81 policy to or longer.
- C. Remove the reject-routes policy.
- D. Remove the reject-routes policy to longer.

Answer: B

Question: 9

Your campus EX9200 core devices are highly oversubscribed on bandwidth and reporting massive dropped packets. To immediately address the issue, you decide to implement shaping on all interfaces.

Which action will accomplish?

- A. Apply the input-shape-rate 5G parameter to all interfaces under the [edit class-of service] hierarchy.
- B. Define a CoS input traffic control profile with the shape-rate 5G parameter and apply it to all interfaces.
- C. Define a CoS output traffic control profile with the shape-rate 5G parameter and apply it to all interfaces.
- D. Apply the shape-rate 5G parameter to all interfaces under the [edit class-of service] hierarchy.]

Answer: D

Question: 10

What allows non-Web enabled devices to access the network on a port configured for captive portal?

- A. A MAC address white list can be configured on the switch to allow specific MAC addresses to bypass the captive portal process.
- B. LLDP can be used to query the type of device that is attempting to access the network, and predefined device types can be allowed to bypass the captive portal process.
- C. Captive portal can be configured to only prompt for credentials when HTTP or HTTPS traffic is requested on a port to allow on-HTTP enabled devices access to the network.
- D. Authentication credentials for specific devices can be preconfigured on the switch for automatic authentication.

Answer: A

Thank You for trying JN0-647 PDF Demo

To Buy Latest JN0-647 Full Version Download visit link below

<https://www.certkillers.net/Exam/JN0-647>

Start Your JN0-647 Preparation

[Limited Time Offer] Use Coupon “CKNET” for Further discount on your purchase. Test your JN0-647 preparation with actual exam questions.

<https://www.certkillers.net>