



Juniper

JN0-363 Exam

Service Provider Routing and Switching, Specialist

Thank you for Downloading JN0-363 exam PDF Demo

You can buy Latest JN0-363 Full Version Download

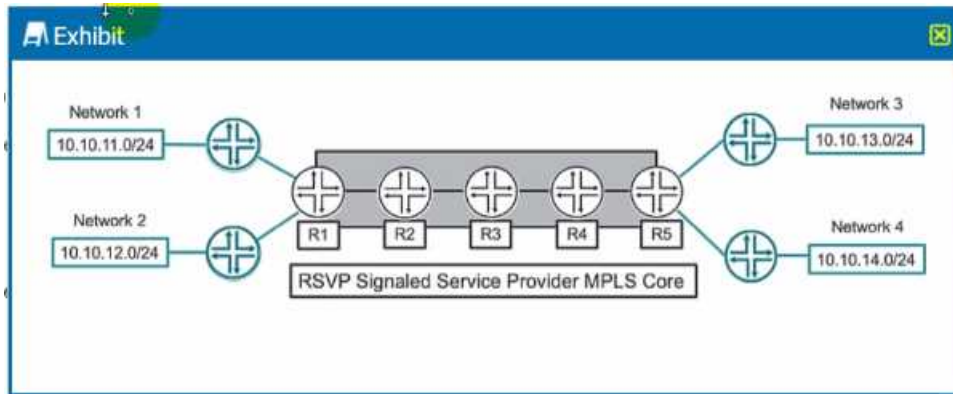
<https://www.certkillers.net/Exam/JN0-363>

<https://www.certkillers.net>

Version: 5.1

Question: 1

Exhibit button



Which two statements are correct about the service provider MPLS network shown in the exhibit? (Choose two.)

- A. R3 will perform a label pop operation on the transport MPLS label.
- B. Traffic from Network 1 to Network 3 and traffic from Network 1 to Network 4 each need their own unique label-switched path.
- C. Traffic from Network 1 to Network 3 and from Network 1 to Network 4 can share the same label-switched path.
- D. R3 will perform a label swap operation on the transport MPLS label.

Answer: AD

Explanation:

Question: 2

Which two statements are correct about IS-IS? (Choose two.)

- A. A level 1 only router can never form an adjacency with a level 2 only router.
- B. For level 2 adjacencies, the area IDs can be different.
- C. For level 2 adjacencies, the area IDs must be the same.
- D. A level 1 only router can form an adjacency with a level 2 only router.

Answer: AB

Explanation:

A Level 1 router can become adjacent with the Level 1 and Level 1-2 (L1/L2) router. A Level 2 router can become adjacent with Level 2 or Level 1-2 (L1/L2) router. There is no adjacency between L1 only and L2 only router. HOWEVER: If two routers are in different areas, they can only form a Level 2 adjacency. As such, two routers in different areas can NOT form a Level 1 adjacency. If you want two routers to form a Level 1 adjacency, they have to be in the same area.

Question: 3

You are adding an IPv6 configuration to an Interface on a Junos device.
In this scenario, which statement is correct?

- A. The link local address must be manually configured within the fd00::/8 prefix range.
- B. The link local address must be manually configured within the fe80::/10 prefix range.
- C. The link local address is automatically created using the MAC address within the fe80::/10 prefix range.
- D. The link local address is automatically created using the MAC address within the fd00::/8 prefix range.

Answer: D

Explanation:

Question: 4

Which statement is correct about IS-IS?

- A. IS-IS is a distance vector routing protocol.
- B. IS-IS is a path vector routing protocol.
- C. IS-IS is a link-state routing protocol.
- D. IS-IS is a classful routing protocol.

Answer: C

Explanation:

Question: 5

Which new field is added to an IPv6 header as compared to IPv4?

- A. version
- B. checksum
- C. fragment offset
- D. flow label

Answer: D

Explanation:

Thank You for trying JN0-363 PDF Demo

To Buy New JN0-363 Full Version Download visit link below

<https://www.certkillers.net/Exam/JN0-363>

Start Your JN0-363 Preparation

[Limited Time Offer] Use Coupon “CKNET” for Further discount on your purchase. Test your JN0-363 preparation with actual exam questions.

<https://www.certkillers.net>