



HP

HPE6-A41 Exam

HP Applying Aruba Switching Fundamentals for Mobility Exam

Thank you for Downloading HPE6-A41 exam PDF Demo

You can Buy Latest HPE6-A41 Full Version Download

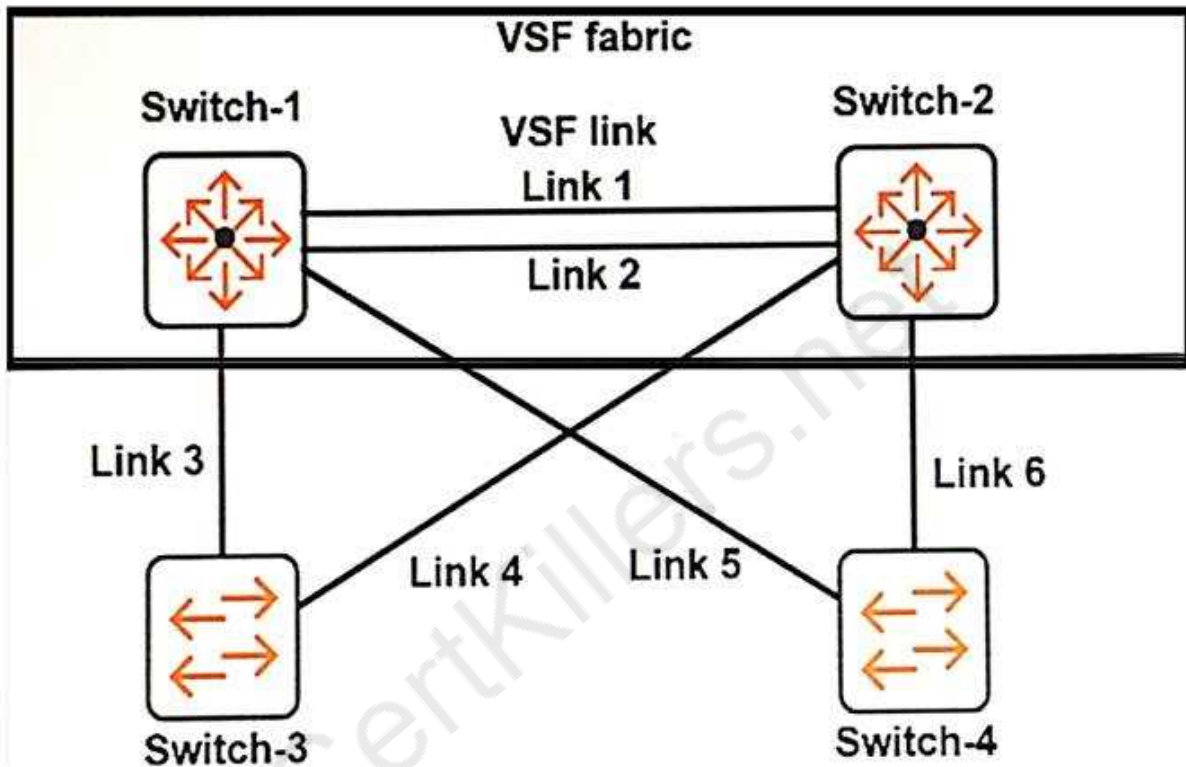
<https://www.certkillers.net/Exam/HPE6-A41>

<https://www.certkillers.net>

Version: 12.0

Question: 1

Refer to the exhibit.



Which links can be combined in the same link aggregation?

- A. Links 3 and 4
- B. Links 3 and 5
- C. Links 3 and 6
- D. Links 4 and 6

Answer: A

Explanation:

We can also aggregate link 5 and 6

Question: 2

Which privilege level would a network administrator use to configure an ArubaOS switch?

- A. Administrator
- B. Manager
- C. Super
- D. User

Answer: B

Question: 3

Refer to the exhibit.

```
Switch# show flash
Image                Size (bytes)  Date      Version
-----
Primary Image :     15540244  03/23/16  KA.16.01.0006
Secondary Image :  15890772    08/24/15  KA.15.15.0014
Boot ROM Version :  KA.15.09
Default Boot : Secondary
```

```
Switch# show config files
```

```
Configuration files:
```

```
id | act pri sec | name
---+-----+-----+-----+-----
1 |   *           | config1
2 |           *   | config2
3 | *            | config3
```

The network administrator enters this command:

```
Switch# reload
```

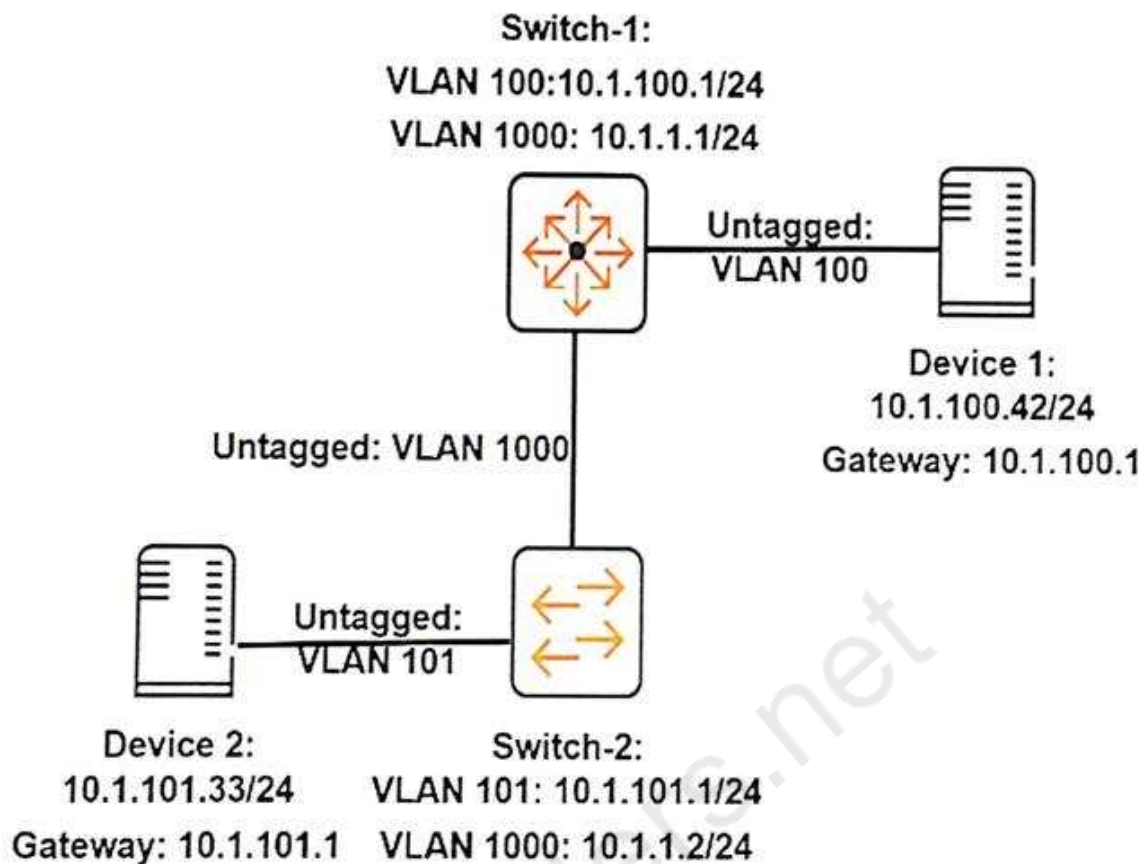
Which software and configuration file will load?

- A. software version KA.16.01 and config3
- B. software version KA.15.15 and config2
- C. software version KA.15.15 and config3
- D. software version KA.16.01 and config1

Answer: B

Question: 4

Refer to the exhibit.



A network administrator executes this command on an ArubaOS switch, Switch-2:

```
Switch-2(config)# ip route 10.1.100.0/24 10.1.1.1
```

The administrator successfully pings Device 1 at 10.1.100.42 from Switch-2. However, Device 2 cannot ping Device 1.

The administrator confirms that Device 1 is correctly set up.

What should the administrator check on Switch-2 to resolve this issue?

- A. that ARP proxy is enabled
- B. that IP routing is enabled
- C. that spanning tree is disabled
- D. that ICMP is enabled

Answer: B

Question: 5

Refer to the exhibit.

```
Switch-1# show ip
```

```
Internet (IP) Service
IP Routing : Disable
```

```
Default Gateway :
Default TTL      : 64
Arp Age         : 20
Domain Suffix   :
DNS server      :
```

VLAN	IP Config	IP Address	Subnet Mask	Proxy ARP	
				Std	Local
DEFAULT_VLAN	Manual	10.1.1.1	255.255.255.0	No	No
VLAN11	Manual	10.1.11.1	255.255.255.0	No	No
VLAN12	Manual	10.1.12.1	255.255.255.0	No	No

What should the network administrator do to permit Switch-1 to route traffic from a client in 10.1.11.0/24 to a client in 10.1.12.0/24?

- A. Enable proxy ARP.
- B. Enable IP routing.
- C. Configure a static route to 10.1.11.0/24 and a static route to 10.1.12.0/24.
- D. Enable OSPF routing on VLAN 11 and on VLAN 12 in the same area.

Answer: B

Question: 6

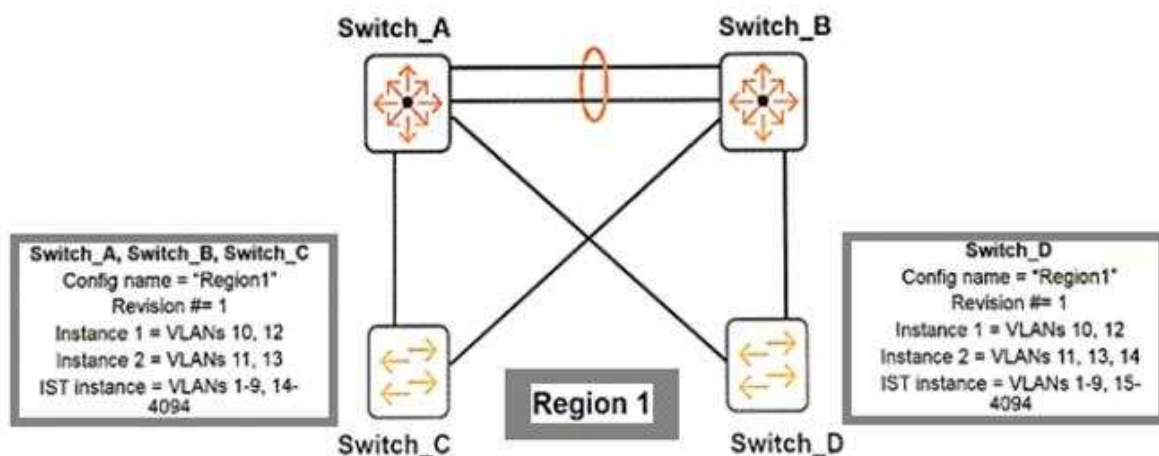
How many operating system image files can a network administrator load on an ArubaOS switch?

- A. two
- B. three
- C. four
- D. unlimited

Answer: A

Question: 7

Refer to the exhibit.



Originally, all four switches had the same region configuration. VLAN 14 was added to Switch_D and then mapped to instance 2.

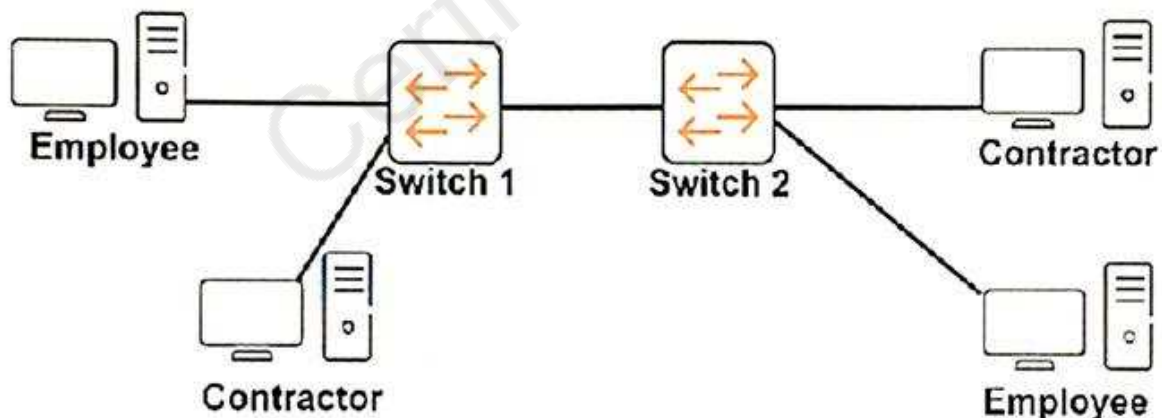
How does this affect the MSTP topology?

- A. Load sharing is lost, one of the uplinks is blocked for all traffic on Switch_C and Switch_D.
- B. Load sharing is lost, one of the uplinks is blocked for all traffic on Switch_D
- C. All connectivity is lost, both uplinks are blocked on Switch_D.
- D. A Layer 2 loop exists and will cause sporadic connectivity issues.

Answer: B

Question: 8

Refer to the exhibit.



The network administrator wants to place contractor clients and employee clients in different broadcast domains.

How should the administrator achieve this goal?

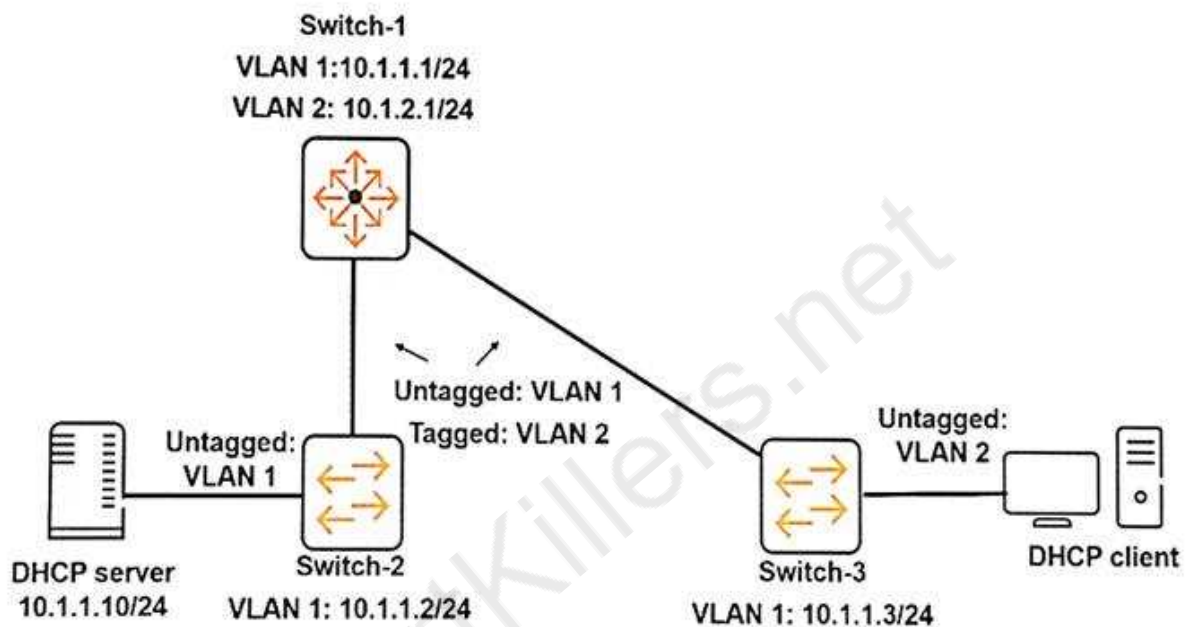
- A. Add a router in between Switch 1 and Switch 2. Configure a different subnet on each router interface.
- B. Create two MSTP instances on each switch. Assign ports connected to contractor clients to one instance and ports connected to employee clients to the other instance.

- C. Assign the switch ports connected to contractor clients to one VLAN and ports connected to employee clients to another VLAN. Extend the VLANs between the switches.
- D. Create two device profiles. Apply one profile to ports connected to contractor clients, and apply the other profile to ports connected to employee clients.

Answer: C

Question: 9

Refer to the exhibit.



All of the switches shown in the exhibit are ArubaOS switches.

Where should the network administrator configure an IP helper address of 10.1.1.10?

- A. on VLAN 2 on Switch-1
- B. on VLAN 2 on Switch-3
- C. on VLAN 1 on Switch-1
- D. on VLAN 1 on Switch-2

Answer: A

Question: 10

What is the relationship between a wireless client's data rate and the throughput for the client's traffic?

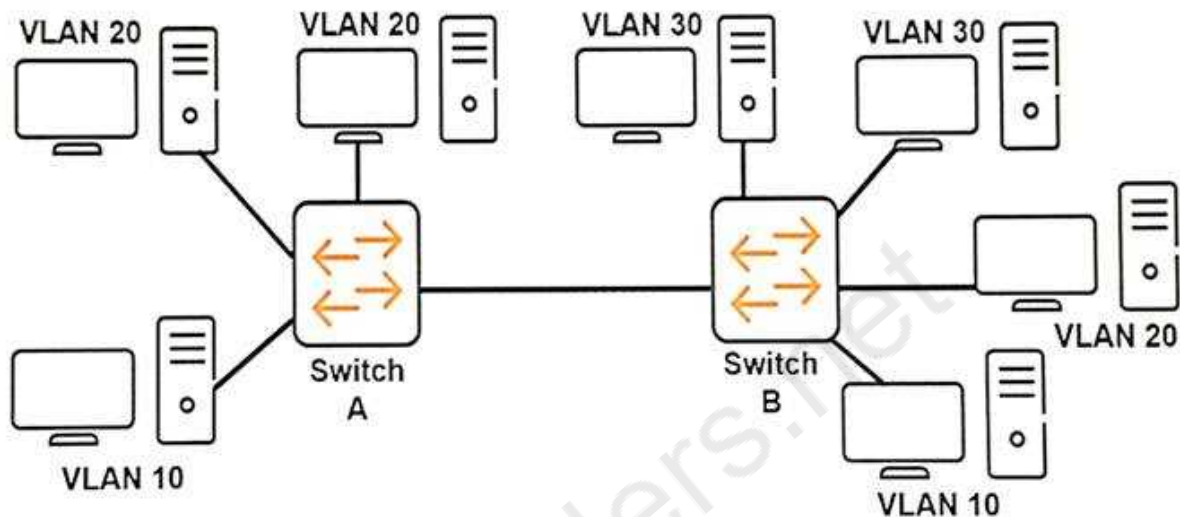
- A. The throughput is 90 percent of the data rate.
- B. The throughput is equal to the data rate multiplied by the connection time, minus the headers' bytes.

- C. The throughput is less than the data rate and also depends on factors such as number of clients in the cell.
- D. The data rate and the throughput are equivalent.

Answer: B

Question: 11

Refer to the exhibit.



The network consists of two ArubaOS switches with routing disabled. How should the network administrator configure the link between Switch A and Switch B to ensure that all hosts can communicate to all the other hosts within their respective VLANs?

- A. tagged for VLAN 20 and tagged for VLAN 30
- B. untagged for VLAN 10 and tagged for VLAN 30
- C. tagged for VLAN 10 and tagged for VLAN 20
- D. untagged for VLAN 10, untagged for VLAN 20, and tagged for VLAN 30

Answer: C

Question: 12

A company has ArubaOS switches that are already configured to support the network. The company now wants to use Aruba AirWave to manage the switches. The network administrator creates a new group on Aruba AirWave, and then discovers several ArubaOS switches that should belong to this group.

What is the best practice for the initial authorization of the switches in AirWave?

- A. Authorize the switches in Monitor + Firmware Updates only mode.
- B. Authorize the switches and immediately change the scan set credentials to match the credentials on the switches.
- C. Authorize the switches and immediately change the global communication settings to match the

credentials on the switches.

D. Authorize the switches in Managed Read/Write mode.

Answer: D

CertKillers.net

Thank You for trying HPE6-A41 PDF Demo

To Buy Latest HPE6-A41 Full Version Download visit link below

<https://www.certkillers.net/Exam/HPE6-A41>

Start Your HPE6-A41 Preparation

[Limited Time Offer] Use Coupon “CKNET” for Further discount on your purchase. Test your HPE6-A41 preparation with actual exam questions.

<https://www.certkillers.net>