



# iSQI

**CTAL-TTA\_2019DACH**

**ISTQB Certified Tester Advanced Level - Technical  
Test Analyst**

**QUESTION & ANSWERS**

### Question: 1

An embedded software company is considering to improve the quality of its software components to be delivered to the integration team. After studying various experience papers that report a higher level of quality for software components, two main alternative techniques are identified: static analysis and dynamic analysis. In deciding which one is most applicable and how they relate to each other a detailed study is performed.

Which of the following are TWO key similarities between static analysis and dynamic analysis?

- A. Both are performed using requirements as its major input document
- B. Both are usually undertaken by integration testers
- C. Both are usually undertaken by development during coding and unit testing
- D. Both are related to reviews
- E. Both usually use a tool

**Answer: C,E**

### Question: 2

Which of the following is a dynamic analysis technique related to improving application performance?

- A. Code complexity analysis
- B. Profiling
- C. Network package sniffing
- D. Spelling and grammar checking

**Answer: B**

### Question: 3

Definition-use pairs are identified during which of the following static analysis activities?

- A. Control flow analysis
- B. Data flow activities
- C. Coding standards analysis

#### D. Cyclomatic complexity analysis

**Answer: B**

#### **Question: 4**

If we say that a set of tests has achieved 100% structural decision coverage on a particular module in a program, what does that mean?

- A. That all bugs present in that module were necessarily revealed by those tests
- B. That every control flow branch had been executed at least once by those tests.
- C. That every dataflow in that module was exercised at least once by those tests.
- D. That every path through that module was exercised at least once by those tests.

**Answer: B**

#### **Question: 5**

If you are flying with an economy ticket, there is a possibility that you may get upgraded to business class, especially if you hold a gold card in the airline's frequent flier program. If you don't hold a gold card, there is a possibility that you will get 'bumped' off the flight if it is full and you check in late. This is shown in the figure hereafter. Note that each box (i.e. statement) has been numbered.

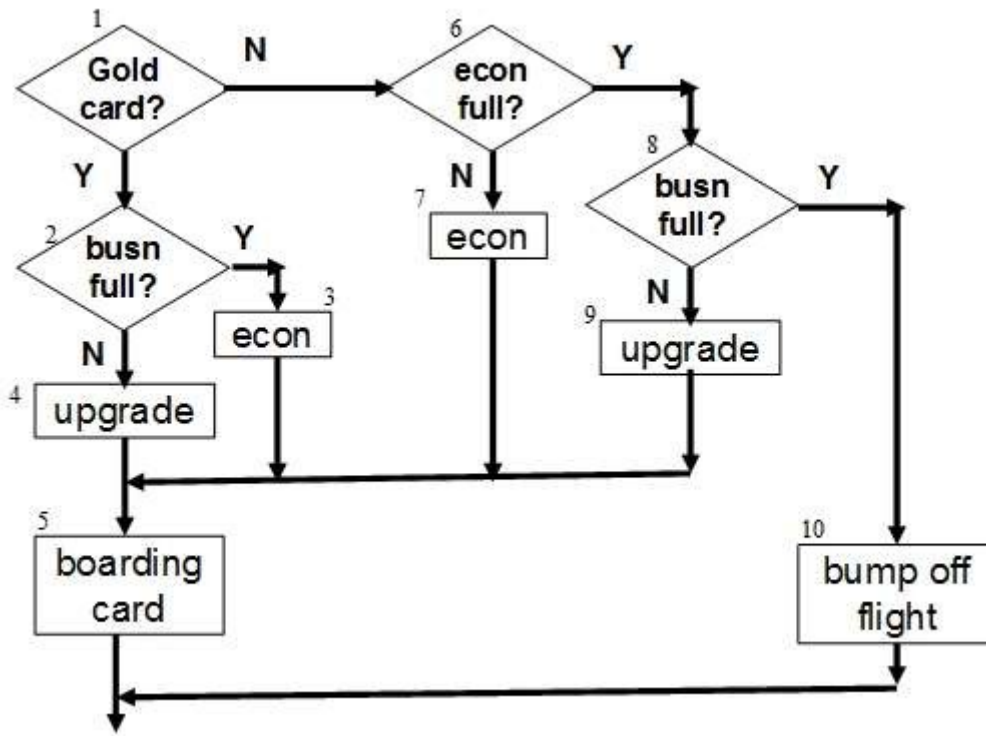
Three tests have been run:

Test 1: Gold card holder who gets upgraded to business class

Test 2: Non-gold card holder who stays in economy

Test 3: A person who is bumped from the flight

What is the statement coverage of these three tests?



- A. 60%
- B. 70%
- C. 80%
- D. 90%

**Answer: C**

### Question: 6

As part of a risk analysis, technical risks are analyzed. Which TWO factors influence technical risk?

- A. Complexity of technology
- B. Frequency of use of the affected failure
- C. Interfacing and integration issues
- D. Damage to image
- E. Lack of reasonable workaround

**Answer: A,C**