



Cisco

642-162

IP Contact Center Express Implementation

QUESTION: 157

Which of the following require physical CD/DVD media to be ordered and received prior to patching and/or upgrading IPCC Express 4.0? (Choose two.)

- A. Major Release
- B. Minor Release
- C. Maintenance Release
- D. Service Release
- E. Engineering Special

Answer: A, B

QUESTION: 158

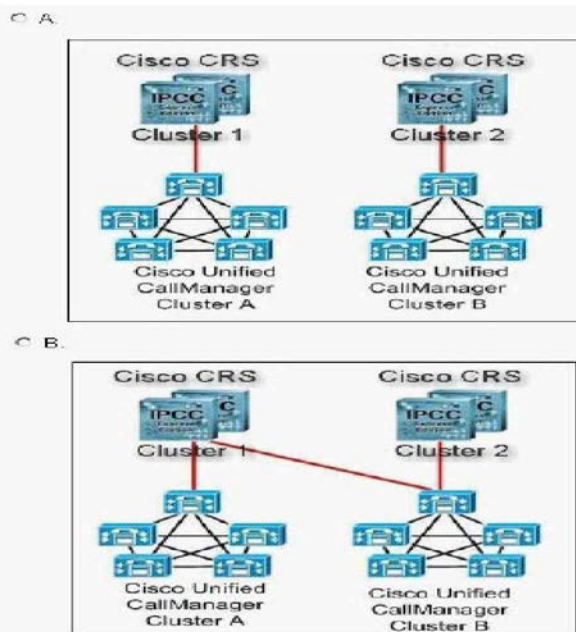
Upon termination of the call, which Cisco IPCCX configuration setting will take precedence over the Automatic Available setting to determine the agent's next state?

- A. Prompt for this CSQ
- B. Service Level settings
- C. Automatic Work
- D. Automatic WrapUp
- E. Resource Pool Selection

Answer: C

QUESTION: 159

Which diagram incorrectly depicts the relationship between Cisco CRS 4.0 clusters and Cisco Unified CallManager clusters in a customer network?



Answer: B

QUESTION: 160

Which two are features of IPCC Express Enhanced? (Choose two.)

- A. IVR Port Recording
- B. HTTP Triggers
- C. Supervisory Silent Monitoring
- D. Sending e-mails
- E. Database Integration
- F. Keystroke macros

Answer: C, F

QUESTION: 161

What are the components of the JTAPI Subsystem? (Choose three.)

- A. Provider
- B. CTI ports
- C. Call control groups
- D. CMT Dialog Control Group
- E. Trigger
- F. RM provider

Answer: A, C, E

QUESTION: 162

Which Cisco CRS 4.0 server configuration task enables the Cisco CRS server to fail over to a secondary Cisco Unified CallManager when the primary Cisco Unified CallManager fails?

- A. The LDAP directory must have a secondary profile configured.
- B. No special configuration is required. Cisco Unified CallManager maintains the failover.
- C. The JTAPI provider on the Cisco CRS server must be configured with the secondary Cisco Unified CallManager IP address following the primary Cisco Unified CallManager IP address.
- D. There must be a second JTAPI user configured with an alternate range of CTI ports.

Answer: C

QUESTION: 163

Which Media Resource collects DTMF data from callers?

- A. JTAPI
- B. Cisco Media Termination (CMT)
- C. MRCP ASR
- D. MRCP TTS

Answer: B

QUESTION: 164

Which of the following is a valid CRS deployment scenario?

- A. CRS 4.0 running with Cisco Unified CallManager 4.0
- B. CRS 4.1 running with Cisco Unified CallManager 4.1
- C. CRS 4.0 running with Cisco Unified CallManager 4.1
- D. CRS 3.5 running with Cisco Unified CallManager 3.3

Answer: C

Download Full Version From <https://www.certkillers.net>



DON'T KNOW
OR NO PREFERENCE

Pass your exam at First Attempt....Guaranteed!