



**Cisco**

**350-024**

*CCIE SP IP Telephony Qualification*

**Question: 381**

A Calling Search Space can be used by CallManager to:

- A. Enable the use of an overlapping dial plan
- B. Provide access-list-like security
- C. Restrict calls to numbers such as 1-900 and International long distance calls
- D. Enable the use of E911 services in a Centralized Call Processing model
- E. All of the above

**Answer: E**

**Question: 382**

What MailStore option does Unity version 2.4.6 support?

- A. Exchange 5.5
- B. Exchange 2000
- C. Domino
- D. MS Mail

**Answer: A**

**Question: 383**

The concept of Location is used by CallManager in order to:

- A. Define what CODEC to use between devices which may be separated by a WAN link.
- B. Define the bandwidth that can be used between devices
- C. Define groups of devices based on physical location, for the purpose of assigning Primary and Backup CallManager servers
- D. Group devices based upon physical location, in order to delegate Administrative Control

**Answer: B**

**Question: 384**

AMIS is used to:

- A. Send Email messages
- B. Send VoiceMail messages
- C. Send VoiceMail & Email messages
- D. Send Recorded names

**Answer: B**

**Question: 385**

When using the CCMAAdmin page of a Subscriber CallManager, changes made to the configuration are:

- A. Made locally in the SQL Database, and replicated up to the publisher immediately
- B. Made locally in the SQL Database, and replicated up to the publisher at the next scheduled replication
- C. Made locally in the SQL Database, and in the Publisher SQL Database
- D. Made in the Publisher SQL Database, and replicated to subscribers

**Answer: D**

**Question: 386**

Two Unity Servers can be placed in the same Dialing Domain if:

- A. They are in the same Exchange Site/Routing Group.
- B. Their subscribers do not have overlapping extensions.
- C. They do not have to dial trunk access codes to reach each other's subscribers.
- D. They are both assigned the same Location ID.
- E. They are attached to the same PBX.

**Answer: B, C**

**Question: 387**

Which pins are used to supply Inline-Power to an IP Phone when using an Inline-Power enabled Catalyst Switch?

- A. 4,5
- B. 7,8
- C. 4,5,7,8
- D. 1,2,3,6
- E. 1,2

**Answer: D**

**Question: 388**

Which pins are used to supply Inline-Power to an IP Phone when using a Cisco Inline-Power Patch-Panel?

- A. 4,5
- B. 7,8
- C. 4,5,7,8
- D. 1,2,3,6
- E. 1,2

**Answer: C**

**Question: 389**

An AS5300 is configured to authenticate a user for Authentication, Authorization, and Accounting (AAA) RADIUS server by prompting the user for a PIN number, etc., by using application clid\_authen\_collect. Users are dialing 5551000. What is the correct configuration?

- A. dial-peer voice 1 potsincoming called-number 555....destination-pattern 1.....port 0:Dapplication clid\_authen\_collect
- B. dial-peer voice 1 potsincoming called-number 5551000destination-pattern 1.....application clid\_authen\_collect
- C. dial-peer voice 1 potsdestination-pattern 1.....port 0:Dapplication clid\_authen\_collect
- D. dial-peer voice 1 potsdestination-pattern 5551...port 0:Dapplication clid\_authen\_collect

**Answer: A**

**Question: 390**

What is the proper configuration for VoIP authentication via Authentication, Authorization, and Accounting (AAA)?

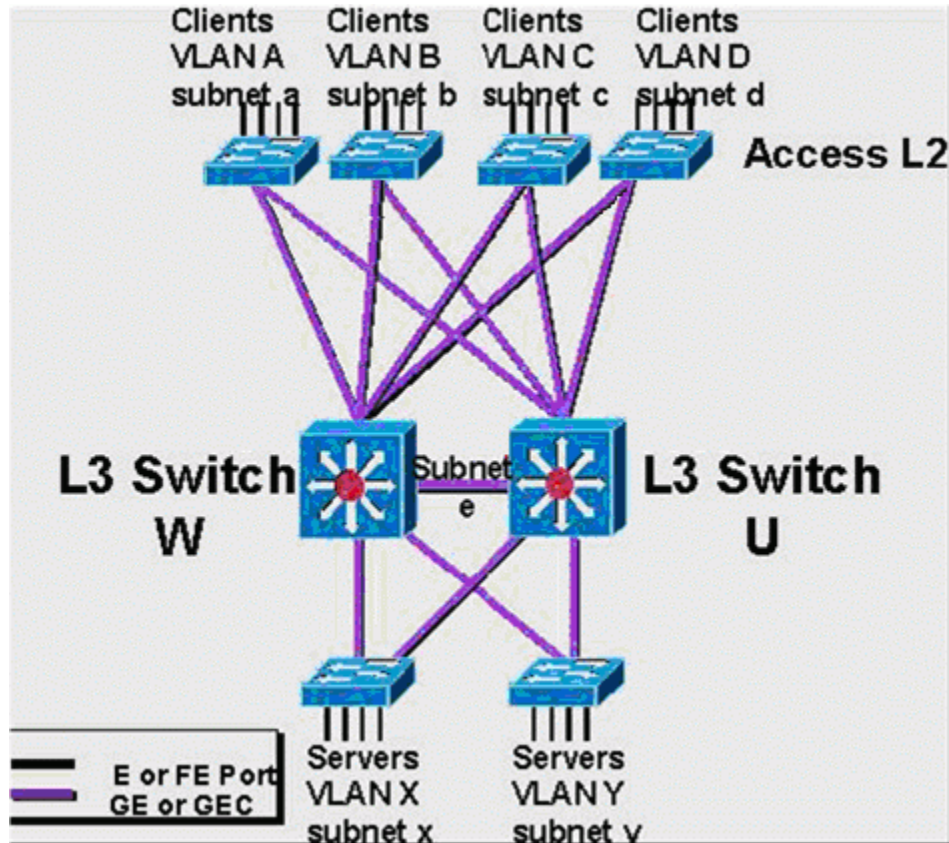
- A. aaa new-modelaaa authentication login h323<sup>124</sup>radius
- B. aaa new-modelaaa authentication login default radius
- C. aaa new-modelaaa authentication h323 login radius

- D. aaa new-modelaaa authentication login h225 radius
- E. aaa new-modelaaa authentication login voip radius

**Answer: A**

**Question: 391**

Exhibit:



The diagram shows a collapsed L3 switched building backbone consisting of two L3 switches: W and U. Each L3 switch has a routed interface on every subnet (VLAN) in the building. There are no VLAN trunks in the network. In other words the L3 switches are acting as native routers. There are exactly 4 client-side VLANs (subnets): a, b, c, d. There are exactly 2 server-side VLANs (subnets): x and y.

There is one routed link (Subnet e) connecting the L3 switches in the core. How many equal-cost paths to Subnet d does L3 Switch W keep in its routing table?

- A. 1
- B. 2
- C. 3
- D. 4
- E. 5

**Answer: A**

**Question: 392**

What is Fast EtherChannel?

- A. A feature to bundle multiple Ethernet point-to-point links quickly into one logical high speed link
- B. A feature to bundle multiple Fast-Ethernet point-to-point links into one logical high speed link
- C. Another name for full-duplex Fast Ethernet
- D. Another name for Gigabit Ethernet
- E. None of the above

**Answer: B**

**Question: 393**

What happens to an incoming frame on a Layer 2 switch?

- A. The switch looks for an entry in its routing table for the destination MAC address and an associated outgoing port.
- B. The switch looks for an entry in its switching table for the destination MAC address and an associated outgoing port.
- C. The switch looks for an entry in its switching table for the source MAC address and an associated outgoing port.
- D. The switch looks for an entry in its routing table for the source MAC address and an associated outgoing port.

**Answer: B**

**Question: 394**

An incoming frame is received by a transparent bridge. If the destination address of the frame is not present in the database, the bridge will:

- A. Discard the frame
- B. Send out the frame on all interfaces, except on the interface where the frame originate
- C. Put the destination MAC address in the table
- D. Broadcast the frame on all interfaces
- E. None of the above

**Answer: B**

**Question: 395**

Exhibit:

```
*Mar 1 00:38:43.351: %SGBP-1-AUTHFAILED: Member C4500CD failed authentication
*Mar 1 00:38:57.723: %SGBP-7-NORESP: Fail to response to C4500CD group stack,
may not have password
*Mar 1 00:39:17.719: %SGBP-7-NORESP: Fail to response to C4500CD group stack,
may not have password
```

Using the shown debugging excerpt, what option best describes the problem?

- A. An ISDN router has a misconfigured username password pair.
- B. An ISDN router is missing the stack password.
- C. The offload server does not offload calls from ISDN routers not using PPP Multilink.
- D. The offload server has a bad password.

**Answer: B**

**Question: 396**

What Q.931 message cannot be received in response to sending a Q.931 SETUP message?

- A. Alerting
- B. Call Proceeding
- C. Connect
- D. USER Information
- E. Progress

**Answer: D**

**Question: 397**

In a 128 kbs videoconference call, what combination will give you the best video quality?

- A. H.261 video and G.711 audio
- B. H.261 video and G.728 audio
- C. H.263 video and G.711 audio
- D. H.263 video and G.728 audio
- E. H.263 video and G.722 audio.

**Answer: D**

**Question: 398**

What standards-based protocol will allow CallManager to seamlessly integrate with other vendors' traditional PBX systems?

- A. MGCP
- B. PRI NI-2
- C. QSIG
- D. All of the above

**Answer: C**

**Question: 399**

Migrating from TDM voice equipment to VoIP does not typically cause migration issues for customers who expect to be:

- A. Fully IP within 12 months
- B. Fully IP in 1 to 3 years
- C. Deploying in a Green-Field scenario
- D. All of the above

**Answer: C**

**Question: 400**

PRI is the preferred method for inter-connecting CallManager 3.2 and below to PBX's because:

- A. It is the cheapest solution available
- B. It offers the highest level of inter-operability currently available between CallManager and PBX's
- C. It allows a customer to share their existing<sup>127</sup> Voicemail system with CallManager subscribers whilst delivering full functionality
- D. Caller ID is available

**Answer: B, D**



Download Full Version From <https://www.certkillers.net>



**DON'T KNOW**  
OR NO PREFERENCE

*Pass your exam at First Attempt....Guaranteed!*