



Cisco

300-135 Exam

Cisco Troubleshooting and Maintaining Cisco IP Networks (TSHOOT) Exam

Thank you for Downloading 300-135 exam PDF Demo

You can Buy Latest 300-135 Full Version Download

<https://www.certkillers.net/Exam/300-135>

<https://www.certkillers.net>

Version: 22.0

Question: 1

A Cisco IOS router is disconnecting the console session of a user after some amount of time. Which action allows the user to work on the device without interruption?

- A. Use the speed 9600 command to match the baud rate
- B. Enter the no exec-banner command on line vty 0 4.
- C. Set the exec-timeout 0 0 command on line con 0.
- D. Increase the session timeout on line vty 0 15.

Answer: C

Question: 2

Refer to the exhibit.

```
R3#show running-config
[output omitted]
!
interface Serial0/1/0
 ip address 10.12.13.3 255.255.255.0
 ip verify unicast source reachable-via any
 ip ospf 1 area 0
!
interface Serial0/2/0
 ip address 10.12.23.3 255.255.255.0
 ip verify unicast source reachable-via any
 ip ospf 1 area 0

R3#sh ip route
[output omitted]

Gateway of last resort is not set

    10.0.0.0/8 is variably subnetted, 4 subnets, 2 masks
C       10.12.13.0/24 is directly connected, Serial0/1/0
L       10.12.13.3/32 is directly connected, Serial0/1/0
C       10.12.23.0/24 is directly connected, Serial0/2/0
L       10.12.23.3/32 is directly connected, Serial0/2/0
S       192.168.0.0/16 is directly connected, Null0
O       192.168.1.0/24 [110/65] via 10.12.13.1, 00:05:51, Serial0/1/0
O       192.168.2.0/24 [110/65] via 10.12.23.2, 00:05:51, Serial0/2/0
O       192.168.17.0/24 [110/65] via 10.12.23.2, 00:03:13, Serial0/2/0
O       192.168.27.0/24 [110/65] via 10.12.13.1, 00:04:14, Serial0/1/0
```

Which situation requires uRPF Loose Mode to be used in a production network that requires uRPF

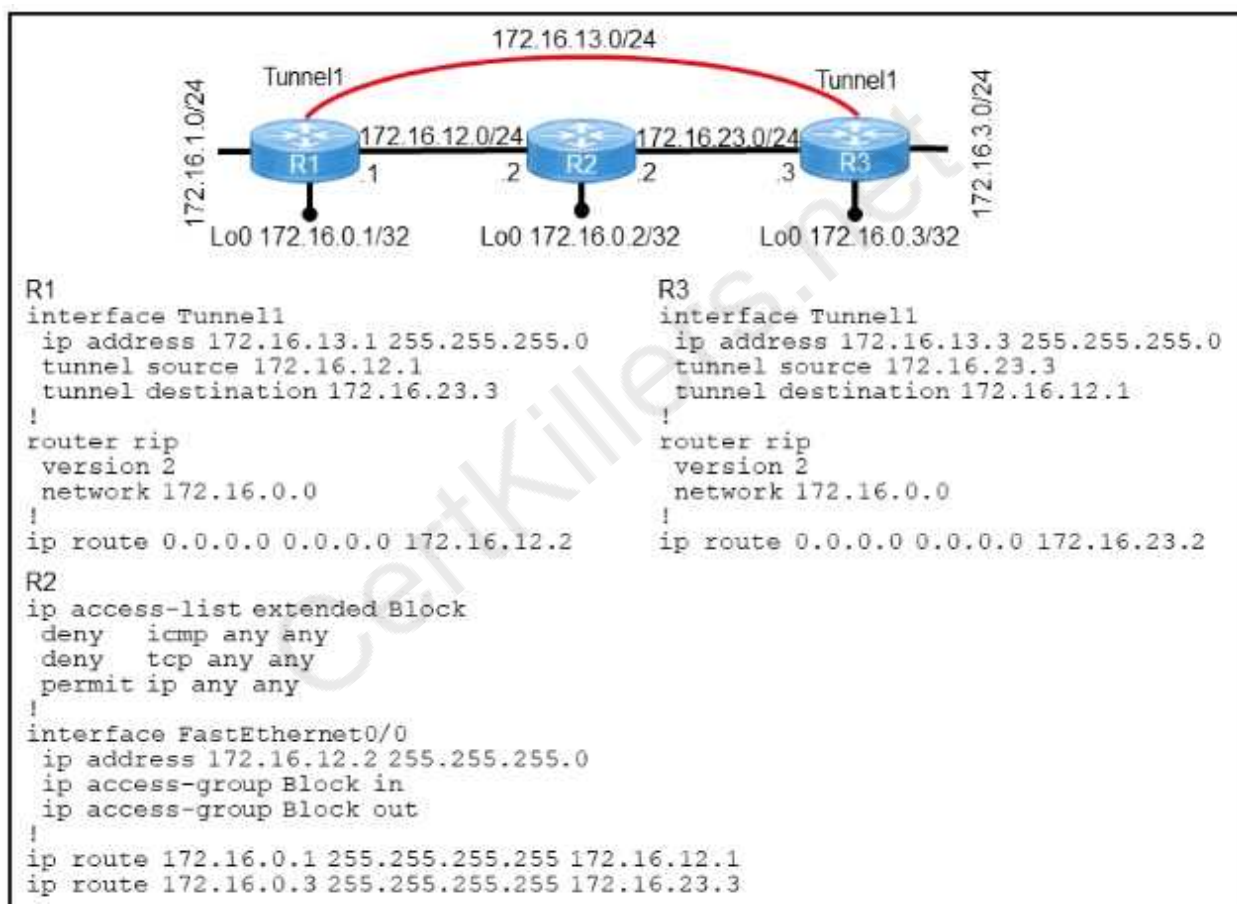
protection?

- A. The routers have dual-stack configurations with IPv4 and IPv6
- B. Normal network traffic experiences asymmetric routing
- C. Redistribution occurs between separate IGP domains.
- D. Multicast is deployed throughout the network via PIMv2

Answer: B

Question: 3

Refer to the exhibit.



Users on the 172.16.1.0/24 and 172.16.3.0/24 networks report that they frequently lose connectivity to the remote network. Which cause of the problem is true?

- A. recursive routing
- B. RIP auto summarization
- C. IP access list
- D. static IP routes

Answer: A

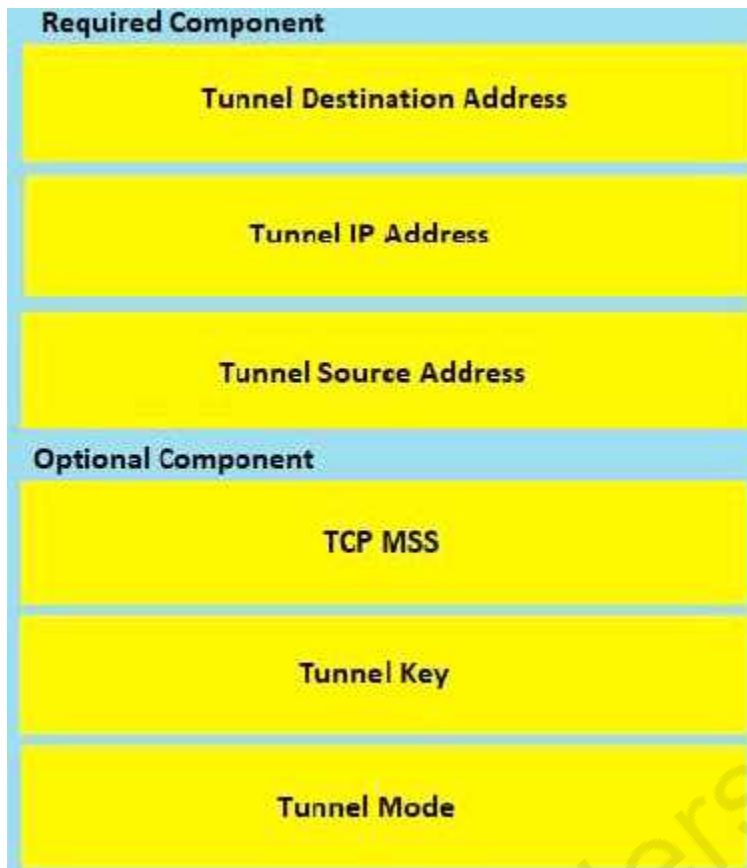
Question: 4

DRAG DROP

Drag and drop the required GRE tunnel as below.

TCP MSS	<p>Required Component</p> <div style="border: 1px solid #ADD8E6; height: 20px; width: 100%;"></div> <div style="border: 1px solid #ADD8E6; height: 20px; width: 100%;"></div> <div style="border: 1px solid #ADD8E6; height: 20px; width: 100%;"></div> <p>Optional Component</p> <div style="border: 1px solid #ADD8E6; height: 20px; width: 100%;"></div> <div style="border: 1px solid #ADD8E6; height: 20px; width: 100%;"></div> <div style="border: 1px solid #ADD8E6; height: 20px; width: 100%;"></div>
Tunnel Destination Address	
Tunnel IP Address	
Tunnel Key	
Tunnel Mode	
Tunnel Source Address	

Answer:



Question: 5

DRAG DROP

Drag the SSH configuration commands in order from the left onto the correct sequence number on the right. Not all commands are used.

Core-Switch (config)# line vty 0 4 Core-Switch (config-line)#transport input ssh	1
Core-Switch (config)#ip ssh version 2	2
Core-Switch (config)# line console 0 Core-Switch (config-line)# transport input ssh	3
Core-Switch(config)# crypto key generate rsa	4
Core-Switch(config)#ip domain-name crrdp.com	

Answer:

```
Core-Switch(config)#ip domain-name crrdp.com
```

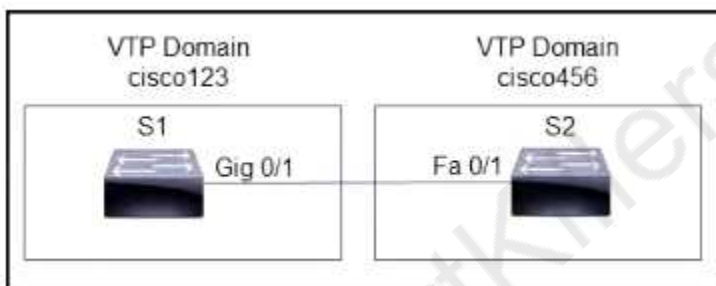
```
Core-Switch(config)# crypto key generate rsa
```

```
Core-Switch (config)#ip ssh version 2
```

```
Core-Switch (config)# line vty 0 4  
Core-Switch (config-line)#transport input ssh
```

Question: 6

Refer to the exhibit.



Dynamic trunk negotiation fails between S1 and S2 Which cause of the problem is true?

- A. There is a speed mismatch between S1 and S2.
- B. There are different VTP domains for S1 and S2
- C. S1 has a FastEthernet interface
- D. The switchport mode is set to desirable

Answer: B

Question: 7

Which two commands can be used to show the number of packets dropped by Unicast RPF? (Choose two.)

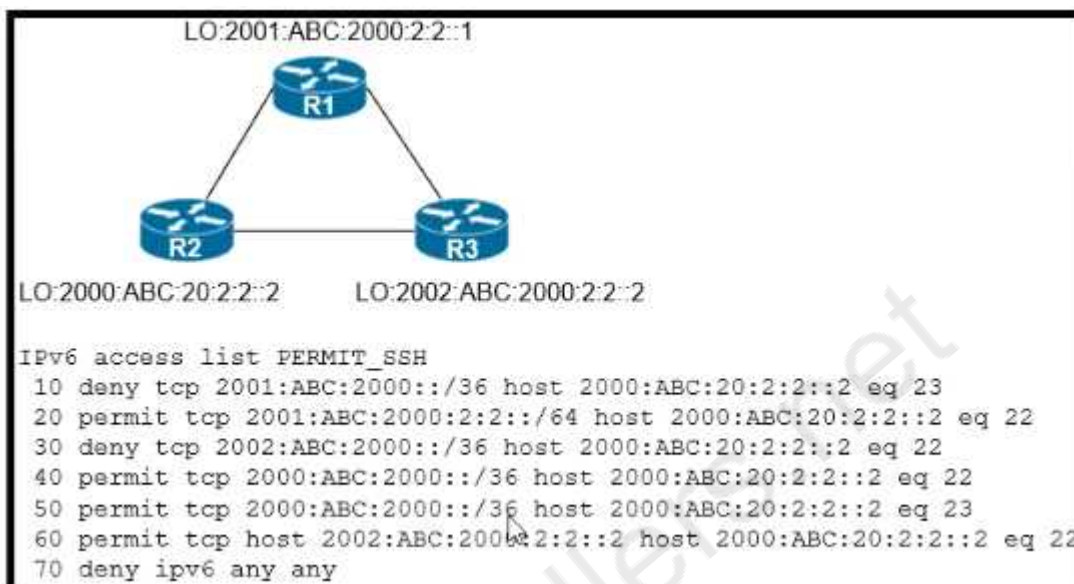
- A. show ip interface
- B. show interface
- C. show ip traffic
- D. show ip cef

E. show cef interface

Answer: AC

Question: 8

Refer to the exhibit.



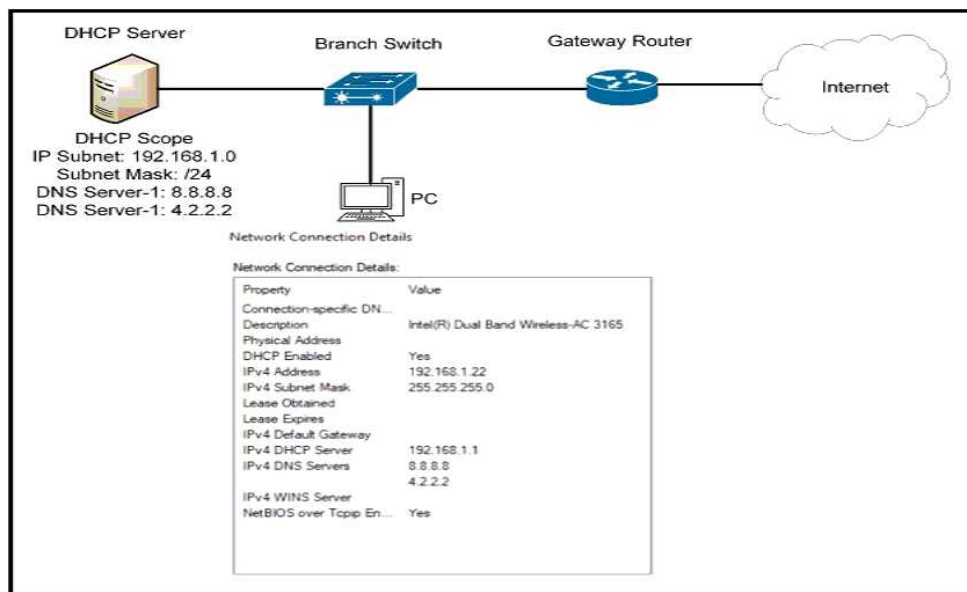
Which sequence number must be moved to the top of the ACL to enable access from R3 to R2?

- A. 20
- B. 40
- C. 50
- D. 60

Answer: D

Question: 9

Refer to the exhibit.



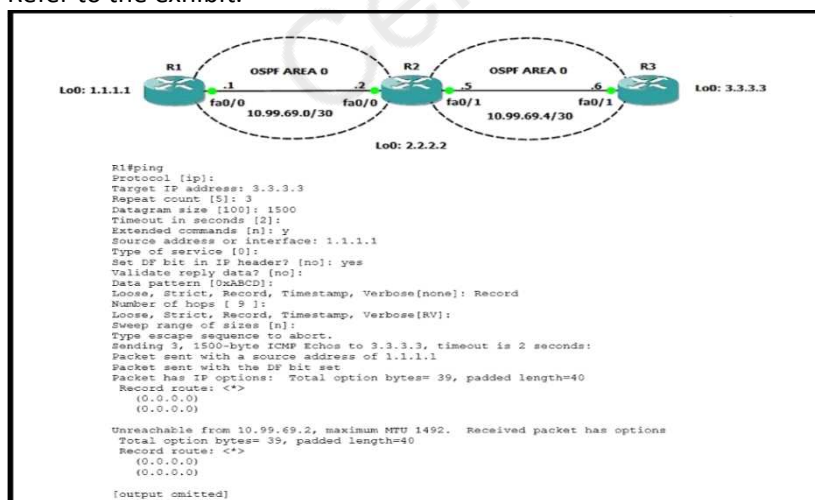
The PC is unable to connect to the Internet. You have determined that the DHCP server has not issued a default gateway to the PC. Which configuration mechanism will resolve this issue?

- A. Configure DHCP snooping on the gateway router
- B. Configure static ARP on the gateway router
- C. Configure reverse ARP on the gateway router

Answer: A

Question: 10

Refer to the exhibit.



R1 can ping the R3 fa0/1 interface Why do the extended pings fail?

- A. The maximum packet size accepted by the command is 1476 bytes.
- B. The DF bit has been set

- C. R3 is missing a return route to 10-99.69 0/30-
- D. R2 and R3 do not have an OSPF adjacency

Answer: B

CertKillers.net

Thank You for trying 300-135 PDF Demo

To Buy Latest 300-135 Full Version Download visit link below

<https://www.certkillers.net/Exam/300-135>

Start Your 300-135 Preparation

[Limited Time Offer] Use Coupon “CKNET” for Further discount on your purchase. Test your 300-135 preparation with actual exam questions.

<https://www.certkillers.net>