



Cisco

200-150 Exam

Cisco Introducing Cisco Data Center Networking Exam

Thank you for Downloading 200-150 exam PDF Demo

You can Buy Latest 200-150 Full Version Download

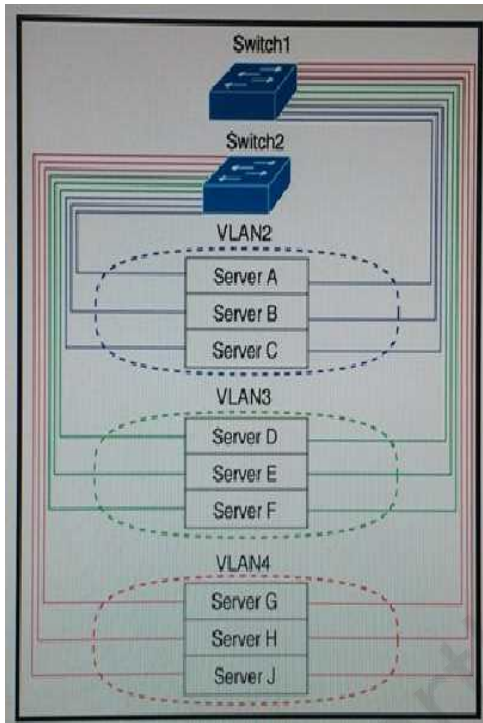
<https://www.certkillers.net/Exam/200-150>

<https://www.certkillers.net>

Version: 17.0

Question: 1

Refer to the exhibit.



Refer to the exhibit. Two Layer 2 Cisco Nexus switches are connected to application servers in a data center. Server A cannot communicate with servers that are in VLANs 3 and 4, but it can communicate with server B and C. What is the cause of the problem?

- A. inter VLANs routing is not enabled on both switches
- B. Switch 1 and switch 2 are not physically connected via an access link.
- C. A router must be connected to both switches and provide inter VLAN routing.
- D. Switch 1 and switch 2 not physically connected via a trunk link.

Answer: C

Question: 2

Which two options describe functions of the data center aggregation layer? (Choose two)

- A. services layer
- B. high-speed packet switching or repeater

- C. access control
- D. QoS marking

Answer: AC

Question: 3

Which two options are valid VTP commands? {Choose two}

- A. feature vtp
- B. vtp client mode
- C. vtp VLAN
- D. vtp version
- E. vtp static

Answer: A,D

Question: 4

Which two features must be licensed on a Cisco Nexus 7000 Switch? (Choose two)

- A. Virtual Port Channel
- B. Layer 3
- C. Virtual Device Contexts
- D. iSCSI
- E. Fibre Channel

Answer: BC

Explanation:

Layer 3 license - Enterprise Services Package - LAN_ENTERPRISE_SERVICES_PKG

Virtual Device Contexts license - Advanced Services Package -LAN_ADVANCED_SERVICES_PKG

<http://www.cisco.com/c/en/us/td/docs/switches/datacenter/sw/nx-os/licensing/guide/bHYPERLINK>
"http://www.cisco.com/c/en/us/td/docs/switches/datacenter/sw/nx-os/licensing/guide/b_Cisco_NX-OS_Licensing_Guide/b_Cisco_NX-OS_Licensing_Guide chapter 01" Cisco NX-OS Licensing Guide/b Cisco NX-OS Licensing Guide chapter 01

Question: 5

Which two options are multicast addresses? (Choose two.)

- A. FD00::2

- B. 192.168.2.2
- C. FF05::2
- D. 226.10.10.10
- E. 240.1.0.1

Answer: CD

Question: 6

What is the minimum number of fabric modules that should be installed in the Cisco Ne*js 7000 chassis for N 1 redundancy using MI-Series line card?

- A. 3
- B. 4
- C. 5
- D. 6

Answer: A

Question: 7

What layer of the OSI Model provides the logical addressing that routers use for path determination?

- A. transport
- B. network
- C. application
- D. presentation

Answer: B

Question: 8

Refer to the exhibit.

Preamble	DST	SRC	Length	Data	FCS
8 Bytes	22 Bytes			Max 1,492 Bytes	4 Bytes

What type of network communication is depicted?

- A. 802.3 frame
- B. TCP packet
- C. UDP packet
- D. Ethernet frame

Answer: A

Question: 9

Which type of media uses electromagnetic waves that are generated by lasers, is often used in campus backbones, and is capable of transmitting to a distance of 60 kilometers?

- A. shielded twisted-pair cable
- B. coaxial cable
- C. multimode fiber-optic cable
- D. single-mode fiber-optic cable

Answer: D

Question: 10

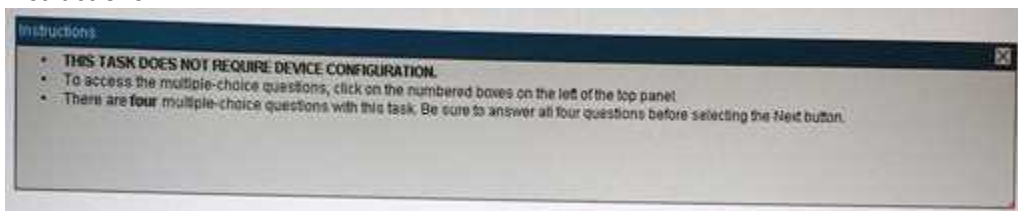
A network engineer wants to apply for new license key file. Which command should be used to obtain the switch serial number?

- A. MDS-A# show license serial-number
- B. MDS- A# show running-config | include serial-number
- C. MDS- A# show host-id
- D. MDS- A# show license host-id

Answer: D

Question: 11

Instructions



Scenario

Customer is configuring FCoE and NPV in their Data Center on Cisco Nexus 5000 Series Switches. Please go through the Topology and Exhibit 1 through 4 to answer the questions.

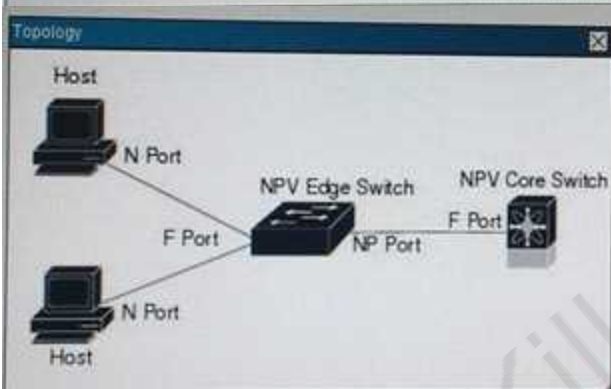


Exhibit 1

```

switch# configure terminal
switch(config)# npv enable
  
```

Exhibit 2

```

Switch# show npv flogi-table
  
```

SERVER:					EXTERNAL	
IN	INTERFACE	VSAN	FCID	PORT NAME	NODE NAME	INTERFACE
vfc3/1	1	0xee0008	10:00:00:00:c9:60:e4:9a	20:00:00:00:c9:60:e4:9a	fc2/1	
vfc3/1	1	0xee0009	20:00:00:00:0a:00:00:01	20:00:00:00:c9:60:e4:9a	fc2/2	
vfc3/1	1	0xee000a	20:00:00:00:0a:00:00:02	20:00:00:00:c9:60:e4:9a	fc2/3	
vfc3/1	1	0xee000b	33:33:33:33:33:33:33:33	20:00:00:00:c9:60:e4:9a	fc2/4	

Total number of flogi = 4

```
Exhibit 3
switch# show npv status
npiv is enabled

External Interfaces:
=====
Interface: fc2/1, VSAN: 1, FCID: 0x1c0000, State: Up
Interface: fc2/2, VSAN: 1, FCID: 0x040000, State: Up
Interface: fc2/3, VSAN: 1, FCID: 0x260000, State: Up
Interface: fc2/4, VSAN: 1, FCID: 0x1a0000, State: Up
Number of External Interfaces: 4

Server Interfaces:
=====
Interface: vfc3/1, VSAN: 1, NPIV: No, State: Up
Number of Server Interfaces: 1
```

```
Exhibit 4
switch# show npv status
npiv is enabled
disruptive load balancing is enabled
External Interfaces:
=====
Interface: fc2/1, VSAN: 2, FCID: 0x1c0000, State: Up
```

Which statement regarding Cisco Nexus 5000 Series switches is true?

- A. Cisco Nexus 5000 Series switches operate in r routing mode.
- B. Cisco Nexus 5000 Series switches operate in FCoE mode.
- C. Cisco Nexus 5000 Series switches operate in fabric mode.
- D. Cisco Nexus 5000 Series switches operate in NPV mode.

Answer: C

Question: 12

Instructions

Instructions

- **THIS TASK DOES NOT REQUIRE DEVICE CONFIGURATION.**
- To access the multiple-choice questions, click on the numbered boxes on the left of the top panel.
- There are **four** multiple-choice questions with this task. Be sure to answer all four questions before selecting the Next button.

Scenario

Customer is configuring FCoE and NPV in their Data Center on Cisco Nexus 5000 Series Switches. Please go through the Topology and Exhibit 1 through 4 to answer the questions.

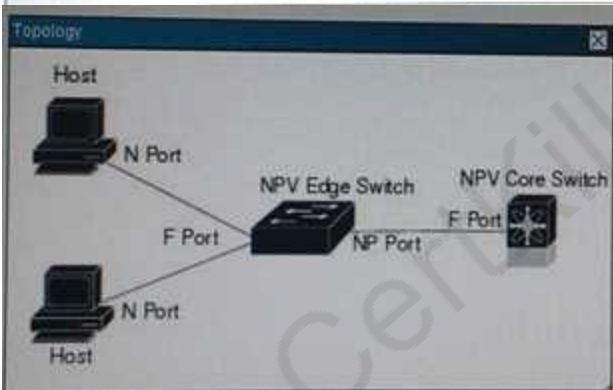


Exhibit 1

```

switch# configure terminal
switch(config)# npv enable
  
```

Exhibit 2

```

SW1# show npv flogi-table
  
```

SERVER	INTERFACE	VSAN	FCID	PORT NAME	MODE NAME	EXTERNAL INTERFACE
vfc3/1	1	0xee0008	10:00:00:00:c9:60:e4:9a	20:00:00:00:c9:60:e4:9a	fc2/1	
vfc3/1	1	0xee0009	20:00:00:00:0a:00:00:01	20:00:00:00:c9:60:e4:9a	fc2/2	
vfc3/1	1	0xee000a	20:00:00:00:0a:00:00:02	20:00:00:00:c9:60:e4:9a	fc2/3	
vfc3/1	1	0xee000b	33:33:33:33:33:33:33:33	20:00:00:00:c9:60:e4:9a	fc2/4	

Total number of flogi = 4


```
Exhibit 3
switch# show npv status
npiv is enabled

External Interfaces:
=====
Interface: fc2/1, VSAN: 1, FCID: 0x1c0000, State: Up
Interface: fc2/2, VSAN: 1, FCID: 0x040000, State: Up
Interface: fc2/3, VSAN: 1, FCID: 0x260000, State: Up
Interface: fc2/4, VSAN: 1, FCID: 0x1a0000, State: Up
Number of External Interfaces: 4

Server Interfaces:
=====
Interface: vfc3/1, VSAN: 1, NPIV: No, State: Up
Number of Server Interfaces: 1
```

```
Exhibit 4
switch# show npv status
npiv is enabled
disruptive load balancing is enabled
External Interfaces:
=====
Interface: fc2/1, VSAN: 2, FCID: 0x1c0000, State: Up
```

Which statement is true regarding configuring NPV mode?

- A. When you enable NPV, the system configuration is erased and the switch reboots
- B. When you enable NPV, the system configuration is not erased and the switch does not reboot
- C. In Exhibit 3 NPV is enabled, but Server interface to the external switch is not bonded to correct vfc 2/1.
- D. In NPV mode, the core switch relays traffic from server-side ports to the edge switch and the core switch provides N ports.

Answer: A

Explanation:

http://www.cisco.com/c/en/us/td/docs/switches/datacenter/nexus5000/sw/configuration/guide/cli_rel_4_0_1a/CLIConfigurationGuide/npv

Question: 13

Instructions

Instructions

- **THIS TASK DOES NOT REQUIRE DEVICE CONFIGURATION.**
- To access the multiple-choice questions, click on the numbered boxes on the left of the top panel.
- There are **four** multiple-choice questions with this task. Be sure to answer all four questions before selecting the Next button.

Scenario

Customer is configuring FCoE and NPV in their Data Center on Cisco Nexus 5000 Series Switches. Please go through the Topology and Exhibit 1 through 4 to answer the questions.

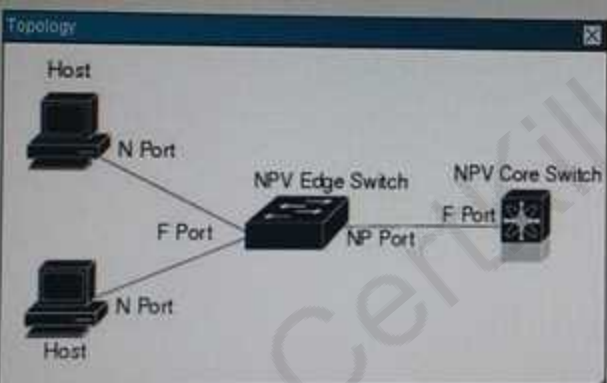


Exhibit 1

```
switch# configure terminal
switch(config)# npv enable
```

```

Exhibit 2
SWITCH# show npv flogi-table
-----
SERVER                                     EXTERNAL
INTERFACE VSAN FCID                      PORT NAME                      NODE NAME                      INTERFACE
-----
vfc3/1    1    0xee0008 10:00:00:00:c9:60:e4:9a 20:00:00:00:c9:60:e4:9a fc2/1
vfc3/1    1    0xee0009 20:00:00:00:0a:00:00:01 20:00:00:00:c9:60:e4:9a fc2/2
vfc3/1    1    0xee000a 20:00:00:00:0a:00:00:02 20:00:00:00:c9:60:e4:9a fc2/3
vfc3/1    1    0xee000b 33:33:33:33:33:33:33:33 20:00:00:00:c9:60:e4:9a fc2/4
Total number of flogi = 4
    
```

```

Exhibit 3
switch# show npv status
npiv is enabled

External Interfaces:
-----
Interface: fc2/1, VSAN: 1, FCID: 0x1c0000, State: Up
Interface: fc2/2, VSAN: 1, FCID: 0x040000, State: Up
Interface: fc2/3, VSAN: 1, FCID: 0x260000, State: Up
Interface: fc2/4, VSAN: 1, FCID: 0x1a0000, State: Up
Number of External Interfaces: 4

Server Interfaces:
-----
Interface: vfc3/1, VSAN: 1, NPIV: No, State: Up
Number of Server Interfaces: 1
    
```

```

Exhibit 4
switch# show npv status
npiv is enabled
disruptive load balancing is enabled

External Interfaces:
-----
Interface: fc2/1, VSAN: 2, FCID: 0x1c0000, State: Up
    
```

What can you tell about server ports and their external Interfaces from the exhibits?

- A. vfc3/1 is not correctly connected to server external interface fc2/1.
- B. vfc3/1 is not correctly connected to server external Interface fc2/1 and flogi are unsuccessful.
- C. Server interface vfc3/1 is assigned to NP uplinks fc2/1, fc2/2, fc2/3, and fc2/4. There are 4 successful flogi.
- D. Server interface vfc3/1 is assigned to NP uplinks fc2/1, fc2/2, fc2/3, and fc2/4. There are 4 flogi are in initialization state.

Answer: C

Question: 14

Which two statements are true regarding disruptive load balancing and regarding the configuration in this example? (Choose two).

- A. In this scenario disruptive load balancing is disabled.
- B. In this scenario disruptive load balancing is enabled.
- C. Since FCID: 0x1 c0000 is reserved, disruptive load balancing is not configured correctly.
- D. When disruptive load balancing is enabled, NPV redistributes the server interfaces across all available NP uplinks when a new NP uplink becomes operational. To move a server interface from one NP uplink to another NP uplink, NPV forces re initialization of the server interface so that the server performs a new login to the core switch.

Answer: CD

Question: 15

A network design team has decided to use a standard protocol to consolidate the Ethernet and San data using the existing Nexus switches. Which I/O technology can satisfy this need?

- A. FCoE
- B. IEEE 802. 1AB
- C. SCS
- D. AToM

Answer: A

Question: 16

When command set will create an access control list on a Cisco Nexus switch to permit only unencrypted Web traffic from any source to destination host 10.10.1.110?

- A. N5K-A(config)#access-list 101 permit tcp any host 10.10.1.110 eq 80

- B. N5K-A(config)# Ip access-list 101
N5K-A(config-acl)# permit tcp any host 10.10.1.110 eq 80
N5K-A(config-acl)# permit Ip any any
- C. N5K-A(config)#Ip access-list 101
N5K-A(config-acl)# permit tcp any host 10.10.110 eq 80
- D. N5K-A(config)#Ip access-list 101 permit tcp any host 10.10.1.100 eq 80
N5K-A(config)#Ip access-list 101 deny ip any any

Answer: C

Question: 17

An administrator connected a new server to a Cisco MDS 9222i on Port FCL/20, but did not capture the world wide node name of the host bus adapter
Which command returns the needed information?

- A. show wwn status
B. show Interface fc 1/20
C. show flogi database
D. show fcs database

Answer: C

Question: 18

Which two terms can take the place of the wildcard mask in an ACL?

- A. eq
B. deny
C. host
D. all
E. any

Answer: BC

Question: 19

Which Cisco UCS power policy mode enables a configuration that can tolerate the loss of an input power circuit?

- A. nonredundant
B. Grid
C. N+1 in normal mode

D. N+1 in high-density mode

Answer: B

Explanation:

Grid Redundant (N+N) – below: The purpose of the grid redundant mode is to enable a configuration that can tolerate the loss of either a power supply or a input power circuit. In grid-redundant mode the

system can withstand the loss of any two power supplies. The Figure 5 shows the required wiring Scheme for Grid Redundant power where N=2.

Question: 20

A network uses on pair of Layer 3 switches for core and distribution purposes. Which design is this network using?

- A. collapsed core
- B. collapsed distribution
- C. collapsed Layer 3 core
- D. collapsed Layer 2-3

Answer: A

Question: 21

Which address type is used in IPv4 but is not used in IPv6?

- A. multicast
- B. broadcast
- C. anycast
- D. unicast

Answer: B

Question: 22

Which two are functions of the data center access layer? (Choose two)

- A. server connections
- B. VLAN creation
- C. packet filtering
- D. high data transfer rate
- E. high network fault tolerance

Answer: AB

Question: 23

What two technologies can be used to connect to storage arrays on a converged Ethernet IP network? (Choose two.)

- A. FCoE
- B. Fiber Channel
- C. iSCSI
- D. InfinBand
- E. FabricPath

Answer: AC

Question: 24

DRAGD ROP

Drag and drop each port description on the left to the port type on the right required to support it.

Drag and drop each port description on the left to the port type on the right required to support it.

Port Description	Port Type
server port	Ethernet
Fibre Channel uplink port	Fibre Channel
Fibre Channel storage port	Fibre Channel
appliance port channel member	Ethernet
appliance port	Ethernet
Ethernet uplink port	Ethernet
FCoE port	Ethernet

Answer:

Fiber Channel:

Fiber channel port

Storage port

All others will go to the Ethernet.

Question: 25

What describes how the 802.1Q protocol lactates the transmission of multiple Layer 2 networks on a single link?

- A. adds 802.1Q tag information between the source MAC address and the Ether Type/Length fields
- B. encapsulates the frame inside an 802.1Q tunnel

- C. adds 802.1Q tag information between the preamble and the destination MAC address
- D. encapsulates the packet inside an 802.1Q tunnel
- E. transparently directs packets based on 802.1Q tags inside the header

Answer: A

Explanation:

EEE 802.1Q uses an internal tagging mechanism which inserts a 4-byte tag field in the original Ethernet frame itself between the Source Address and Type/Length fields

<http://www.cisco.com/c/en/us/support/docs/lan-switching/8021q/17056-741-4#topic2>

Question: 26

An engineer is configuring a new MDS switch. The switch is powered on, the customer connects to the console, and the initial setup script is started.

Which two items can be configured during this setup process?

- A. default port-channel mode
- B. default port VSAN membership
- C. default switch port interface state
- D. default zone mode
- E. default storage VDC

Answer: CD

Question: 27

What native Fibre Channel technology facilitates connecting multiple Fibre devices behind a single FC address?

- A. Fiber Channel over Ethernet
- B. N-Port Virtualization
- C. Fibre Channel Arbitrated Loop
- D. N-Port Identification Virtualization

Answer: B

Question: 28

Which command should be used to determine which hosts are Fibre Channel targets?

- A. MDS-A# show host database
- B. MDS-A# show flogi database

- C. MDS-A# show fens database
- D. MDS-A# show host-id

Answer: B

Question: 29

At which layer of the OSI Model is TCP traffic encapsulated?

- A. transport
- B. data-link
- C. application
- D. presentation

Answer: A

Question: 30

A customer wants to connect to their SAN via Fibre Channel. Which two devices can be used to provide connectivity? (Choose two.)

- A. Cisco Nexus 5548UP Switch
- B. Cisco MDS 9148 Multilayer Fabric Switch
- C. Cisco Nexus 2248TP GE Fabric Extender
- D. Cisco Catalyst 6509 Switch
- E. Cisco Nexus 7010 Switch

Answer: AB

Thank You for trying 200-150 PDF Demo

To Buy Latest 200-150 Full Version Download visit link below

<https://www.certkillers.net/Exam/200-150>

Start Your 200-150 Preparation

[Limited Time Offer] Use Coupon “CKNET” for Further discount on your purchase. Test your 200-150 preparation with actual exam questions.

<https://www.certkillers.net>